

Key stage 3 mathematics 2006

Mental mathematics Test A

First name _____

Last name _____

School _____

Total marks

Practice question

		37	
--	--	----	--

Time: 5 seconds

1			
---	--	--	--

2		300	
---	--	-----	--

3		9	
---	--	---	--

4	mm		
---	----	--	--

5		-2	
---	--	----	--

6			
---	--	--	--

Time: 5 seconds continued

7		3.68	
---	--	------	--

8		$10y^2 - 3y^2$	
---	--	----------------	--

Time: 10 seconds

9	Right		
	Wrong		
pupils			

10	cm		
----	----	--	--

11	13					
	$\frac{1}{8}$	$\frac{1}{4}$	$\frac{1}{3}$	$\frac{1}{2}$	$\frac{3}{4}$	

12			
----	--	--	--

13		$2x - 8$	
----	--	----------	--

14	10cm : 2km		15cm	
	km			

15			
----	--	--	--

16	£	5%	£300
----	---	----	------

Time: 10 seconds continued

17	2cm by 8cm by 4cm		17
	_____ cm^3		

18	m	£4.50	£27	18

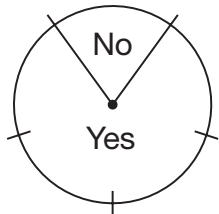
19	cm	8cm	19

20	£	1 : 3	£150	20

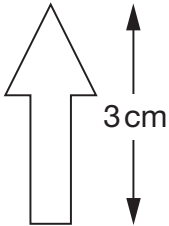
21	$y(y - 3)$		21

Time: 15 seconds

22	$27 \times 32 = 864$	22
	$27 \times 16 =$ _____	

23	_____		23

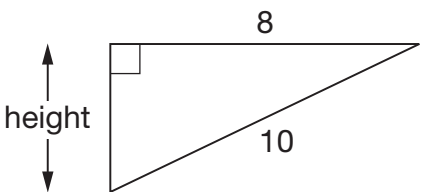
24	50		24

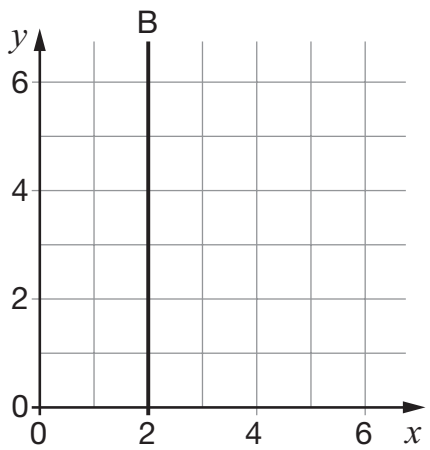
25	_____ cm		25

Time: 15 seconds continued

26	Number of milk bottles		Frequency		26
	0	6	<input type="text"/> <input type="text"/> <input type="text"/> <input type="text"/> <input type="text"/>	<input type="text"/> <input type="text"/> <input type="text"/> <input type="text"/> <input type="text"/>	
	1	3			
	2	8			
	3	1			
	4	2			

27	$\sqrt{40000}$	27

28		28

29		29

30	9×9		30
