

Key stage 3 mathematics 2008

Mental mathematics Test A

First name _____

Last name _____

School _____

Total marks

Practice question

		99	
--	--	----	--

Time: 5 seconds

1		42	
---	--	----	--

2	8 4 7		
	4 9		

3		$4b + 5b$	
---	--	-----------	--

4		0.1 4	
---	--	----------	--

5		-2	
---	--	----	--

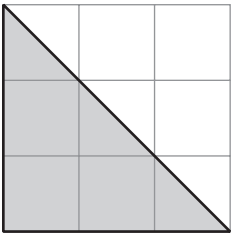
6		4.875	
---	--	-------	--

Time: 5 seconds continued

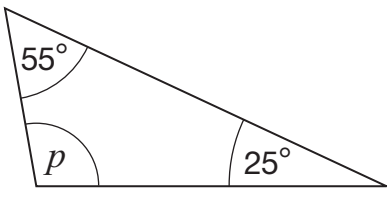
7		$y = 3x + 2$	
---	--	--------------	--

Time: 10 seconds

8		300	
---	--	-----	--

9			
		cm ²	

10		40 50	
----	--	----------	--

11			
		°	

12		$a = 5b - 4$	
----	--	--------------	--

13		20% 6	
----	--	----------	--

14	miles	40mph	
----	-------	-------	--

15		20	
----	--	----	--

16		$3(a - 5)$	
----	--	------------	--

17		5.7	
----	--	-----	--

Time: 10 seconds continued

18	<table border="1"> <thead> <tr> <th>Colour</th> <th>Probability</th> </tr> </thead> <tbody> <tr> <td>red</td> <td>0.4</td> </tr> <tr> <td>green</td> <td>0.3</td> </tr> <tr> <td>blue</td> <td></td> </tr> </tbody> </table>		Colour	Probability	red	0.4	green	0.3	blue		<input type="text"/>
	Colour	Probability									
	red	0.4									
	green	0.3									
blue											
		18									

19	£	£1.20	<input type="text"/>
			19

20		$\frac{m^3}{m}$	<input type="text"/>
			20

Time: 15 seconds

21			<input type="text"/>
			21

22	$20 \times 38 = 760$			<input type="text"/>
	$21 \times 38 =$ <input type="text"/>			
			22	

23			<input type="text"/>
			23

24			<input type="text"/>
	people		
			24

Time: 15 seconds continued

25			<input type="text"/>
	cm		
			25

26	<table border="1"> <thead> <tr> <th>Televisions</th> <th>Frequency</th> </tr> </thead> <tbody> <tr> <td>0</td> <td>2</td> </tr> <tr> <td>1</td> <td>10</td> </tr> <tr> <td>2</td> <td>10</td> </tr> <tr> <td>3</td> <td>8</td> </tr> </tbody> </table>		Televisions	Frequency	0	2	1	10	2	10	3	8	<input type="text"/>
	Televisions	Frequency											
	0	2											
	1	10											
	2	10											
3	8												
			26										

27		5 faces	<input type="text"/>
			27

28		$2\frac{3}{4}$	0.3	<input type="text"/>
				28

29			<input type="text"/>
			29

30		8^2	<input type="text"/>
			30