

Key stage 3 mathematics 2009

Mental mathematics Test B

First name _____

Last name _____

School _____

Total marks

Practice question

		39	
--	--	----	--

Time: 5 seconds

1	millimetres	kilometres	
		metres	
	centimetres	inches	

2		$8y + 3y$	
----------	--	-----------	--

3		6000	
----------	--	------	--

4		7.8	
----------	--	-----	--

5			
----------	--	--	--

6		0.3	
----------	--	-----	--

Time: 5 seconds continued

7		0.09	
----------	--	------	--

8			
----------	--	--	--

Time: 10 seconds

9		25p £2.50	
----------	--	-----------	--

10	Quarter to six	
	minutes	

11		13 14 15	
-----------	--	----------	--

12	Key: = 3 pupils		
	Apple		
	Banana		
	pupils		

13		°C 8°C	
-----------	--	--------	--

14		%	
-----------	--	---	--

15		

Time: 10 seconds continued

16

No	Yes
----	-----

0% 100%

%

16

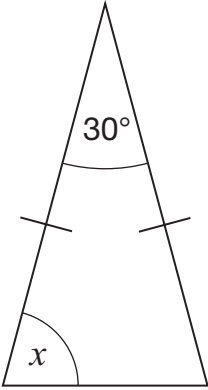
17

cm	4cm
----	-----

17

18

°



18

19

hours	18
-------	----

19

20

£		5%	£2
---	--	----	----


20

21

	$y = 3x - 7$
--	--------------

21

22



cm

22

23

	$3y(5 - y)$
--	-------------

23

Time: 15 seconds

24

_____ and _____

24

25

$1\text{cm} : 2\text{km}$	$7\frac{1}{2}\text{cm}$	
km		

25

26

	65 83
--	-------

26

27

	$\frac{(3 + b)^2}{5}$
--	-----------------------

27

28

Number of children	Frequency
0	1
1	1
2	4
3	3
4	1

children

28

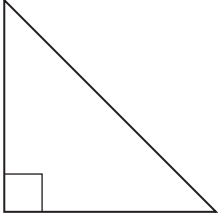
29

$2 : 3 : 4$	
°	°
°	°
°	°

_____, _____, _____

29

30



$\sqrt{6}$	$\sqrt{9}$	$\sqrt{12}$
$\sqrt{18}$	$\sqrt{27}$	

30